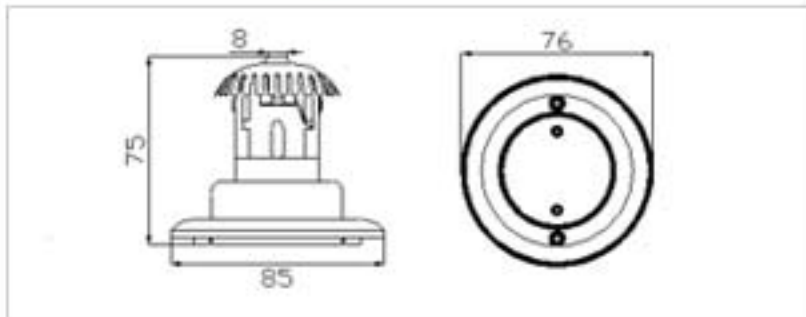




**MAJOR FEATURES**

SPINKLER SHAPED CAMERA(Covert Application)  
 1/3" Sony Super HAD CCD / 1/3" Hi-Resolution CCD selectable  
 FIXED PINHOLE LENS (92' Degree)  
 AGC,Auto White Balance  
 Clear Image performance  
 Covert Application  
 OPTIONAL AUDIO

**DIMENSION**



Spinkler Head  
Adjustable

**SPECIFICATIONS**

MODEL		STX-102 N/P	STX-103 N/P
Image Sensor		1/3" Sony Super HAD CCD	1/3" Sony High-Res CCD
Effective Pixels	NTSC	510 (H) X 492 (V)	768 (H) X 494 (V)
	PAL	500 (H) X 582 (V)	752 (H) X 582 (V)
H. Resolution		420 TV LINES	500 TV LINES
Synchronizing System		Internal	
Scanning System		2:1 Interlaced	
Video Output		1.0 Vp-p Composite 75 Ohms	
S/N Ratio		More than 50dB (AGC OFF)	
Min.Illumination		0.1 Lux / F2.0	0.1 Lux / F2.0
BLC		Automatic	
White Balance		2100°K ~ 8200°K Auto	
Gain Control		Automatic	
Gamma correction		$\gamma=0.45$	
Shutter Speed		NTSC : 1/60 ~ 1/100,000 sec PAL : 1/50 ~ 1/100,000 sec	
Power Supply		Regulated DC 12 V	
Power Consumption		110mA $\pm$ 10mA	
Operation Temperature		14 °F ~ 122 °F (-10 °C ~ + 50 °C)	
Storage Temperature		-4 °F ~ 140 °F (-20°C ~ + 60 °C)	
Dimensions		85(D) ^ 75(H)	
Lens		f 3.7mm Pinhole Lens (92' Degree)	
Option		Mirror Mode	