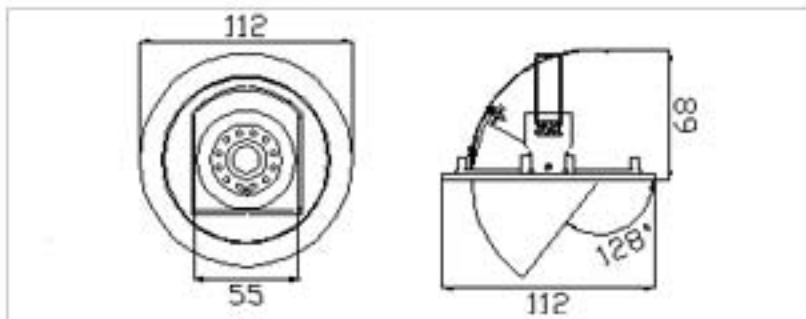




MAJOR FEATURES

Halogen hole insert Interior Camera
 1/3" Sony Super HAD CCD / 1/3" Hi-Resolution CCD selectable
 FIXED LENS (f3.6mm board lens Standard)
 Built-in 12 IR LEDs
 Clear Image performance

DIMENSION



SPECIFICATIONS

MODEL	STX-202 N/P	STX-203 N/P
Image Sensor	1/3" Sony Super HAD CCD	1/3" Sony Hi-Res CCD
Effective Pixels	NTSC	768 (H) X 494 (V)
	PAL	752 (H) X 582 (V)
H. Resolution	420 TV LINES	500TV LINES
Synchronizing System	Internal	
Scanning System	2:1 Interlaced	
Video Output	1.0 Vp-p Composite 75 Ohms	
S/N Ratio	More than 50dB (AGC OFF)	
IR LED & CDS Sensor	IR LED 12EA (Built-in CDS Sensor)	
IR LED Wavelength	850nm	
Min.Illumination	0.1 Lux / F2.0 (0.00Lux / LED Off)	
BLC	Automatic	
White Balance	2100° K ~ 8200° K Auto	
Gain Control	Automatic	
Gamma correction	γ=0.45	
Shutter Speed	NTSC : 1/60 ~ 1/100,000 sec	
	PAL : 1/50 ~ 1/100,000 sec	
Power Supply	Regulated DC 12 V	
Power Consumption	110mA ± 10mA	
Operation Temperature	14 °F ~ 122 °F (-10 °C ~ + 50 °C)	
Storage Temperature	-4 °F ~140 °F (-20°C ~ + 60 °C)	
Dimensions	112(D)×156(H)	
Lens	f 3.6mm Board Lens Standard	
Option 1	Exview HAD CCD(STX-202EX)	
Option 2	Mirror Mode	