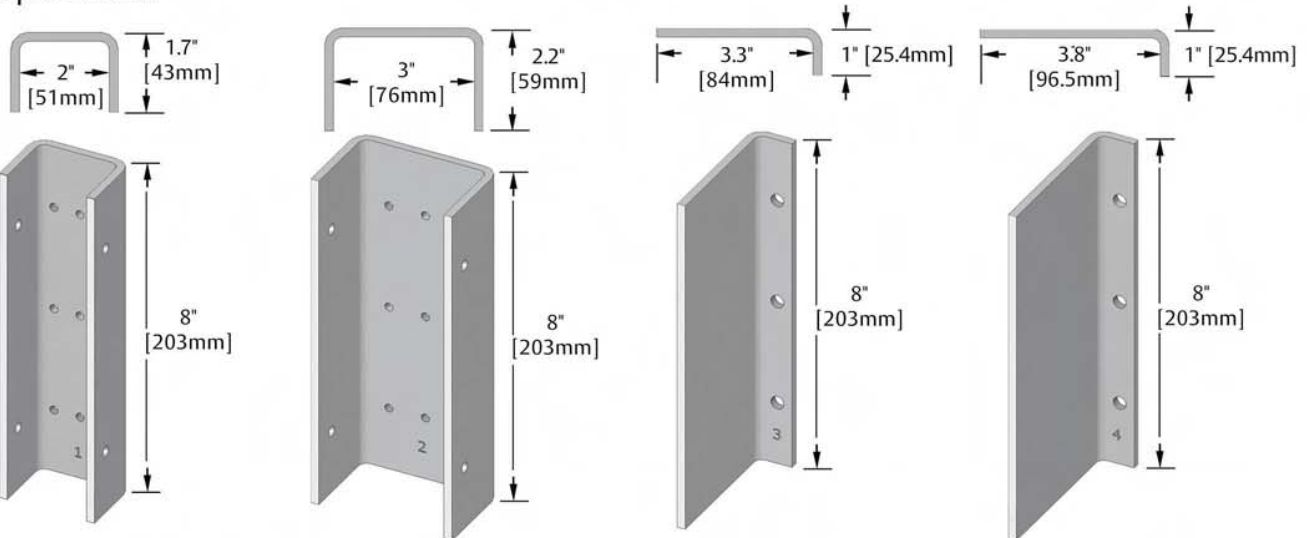


FLEX-MOUNT Bracket System Available late August - 2008

The Flex-Mount system is an intuitive set of mounting brackets designed exclusively for use with the 1,200 lb. M62FG Magnalock and the 2,000 lb. GL1 Gate Lock. Using pre-formed post channels and plates of varying lengths, a high security lock mounting platform can be assembled in minutes. All components have been designed to work within standard gate specifications and feature .19" (4.8mm) zinc plated steel. All Flex-Mount brackets come pre-tapped for assembly and adjustment which allows simple bolt-on installation - or the entire system can be welded after final adjustments have been made. Permits electronics to be mounted on either the fence post or gate post. Works with round or square stock.

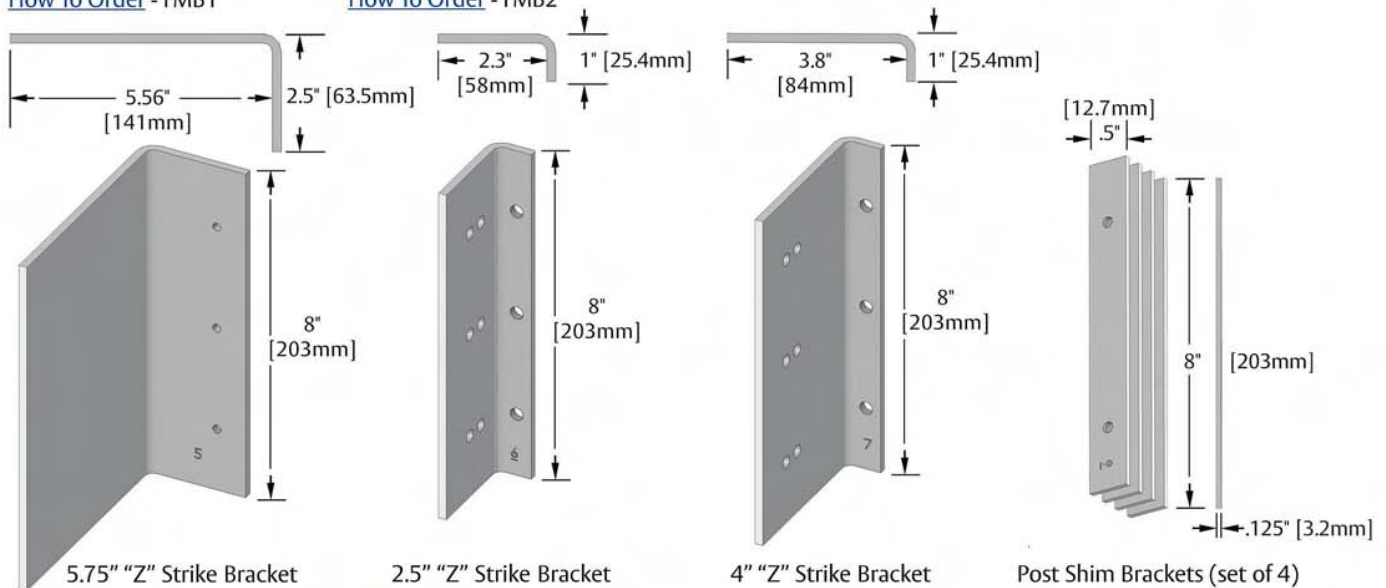


Small Post Mounting Bracket
(Lock or Post Side)
[How To Order - FMB1](#)

Large Post Mounting Bracket
(Lock or Post Side)
[How To Order - FMB2](#)

3.5" Lock Strike "L" Bracket
[How To Order - FMB3](#)

4" Lock "L" Bracket
[How To Order - FMB4](#)

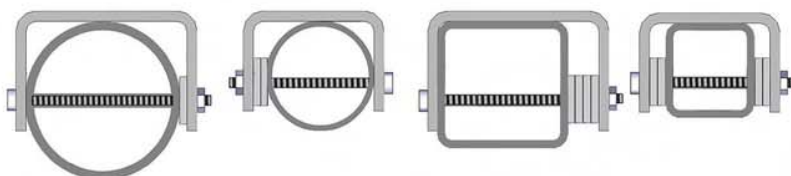


5.75" "Z" Strike Bracket
[How To Order - FMB5](#)

2.5" "Z" Strike Bracket
[How To Order - FMB6](#)

4" "Z" Strike Bracket
[How To Order - FMB7](#)

Post Shim Brackets (set of 4)
[How To Order - FMB9-4](#)



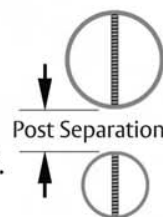
Post Shim Brackets (FMB9-4) are used to adapt Small Post Mounting Bracket (FMB1) and Large Post Mounting Bracket (FMB2) to pole/post sizes smaller than 2" or 3" respectively in 1/8" increments - 1-7/8", 1-3/4", 1-5/8", 2-7/8", 2-3/4", etc. They can also help with horizontal bracket/lock alignment. When more than two Post Shims are used together on a single post, welding the Post Bracket to the pole/post is always recommended.



FLEX-MOUNT Bracket Kits

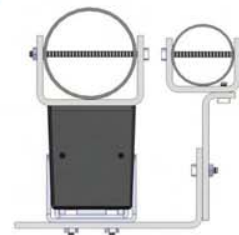
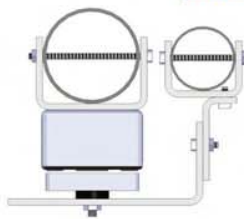
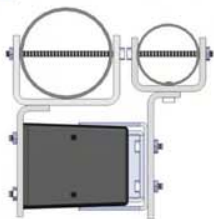
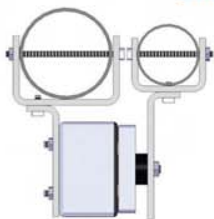
Available late August - 2008

These pre-packaged kits will work with the majority of sliding and swinging gate applications. The sliding gate kit used with the GL1 will function when post separation is between 1" and 3-3/4". The sliding gate kit used with the M62FG will function when post separation is between 1" and 2-1/4" and permits use with the SASM. The swinging gate kit will function properly with either the GL1 or M62FG where the gate post and fence post separation is between 1" and 2-3/4".



Flex-Mount Sliding Gate Kit
[How To Order](#) - FMBK-SL

Flex-Mount Swinging Gate Kit
[How To Order](#) - FMBK-SW



FMBK-SL with M62FG

FMBK-SL with GL1

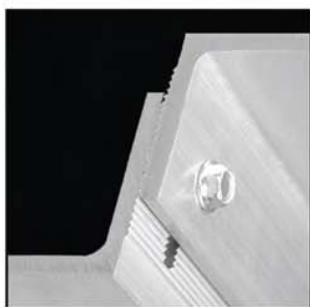
FMBK-SW with M62FG

FMBK-SW with GL1

FMBK-SL contains: FMB1, FMB2, FMB3, FMB4, FMB9-4 and all necessary mounting hardware

FMBK-SW contains: FMB1, FMB2, FMB5, FMB6, FMB7, FMB9-4 and all necessary mounting hardware

Adjustable Aluminum Z Bracket Kits



- Used on inswing gates with the M62FG Magnalock - 8.5" length
- Provides 1" of lateral movement to accommodate most openings
- Allows for precision adjustments
- Includes a Dress Cover

[How To Order](#)

Part #	Description
ZA-32/62CL	Z Bracket Kit, M32/62 Series, Clear Dress Cover
ZA-32/62BL	Z Bracket Kit, M32/62 Series, Black Dress Cover
ZA-32/62SS	Z Bracket Kit, M32/62 Series, Satin Stainless Cover

NOTE: These Adjustable Z Bracket Kits will also function using M32F Series 600 lb. Magnalocks. M32 Series locks do not have the availability of a conduit fitting so alternative wiring methods will be required for proper "protection" of the lock's power cable.